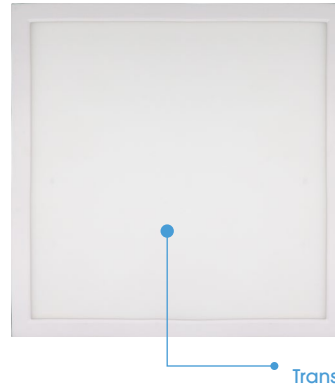
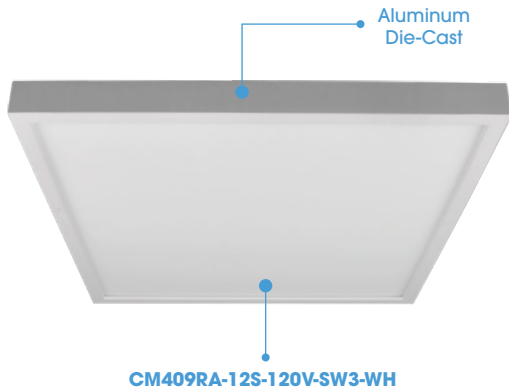


CM409RA-12S

12" SQUARE LED SURFACE MOUNT
WITH SLIM ALUMINUM DIE-CAST TRIM



Fixture Type
Project
Notes



The LED Surface Mount with Slim Aluminum Die-Cast Trim series is designed for residential and commercial applications. The ultra low profile design measures a close-to-ceiling depth of only 1" features a beautiful die cast aluminum trimming in white finish. The white translucent acrylic provides comfortable non-glare lighting with no hot spots and instant on. It is ADA Compliant for Wall Mounting and can easily be installed within a standard junction box. With a 3-Level field-selectable Color Temperature can be Triac dimmable.



SPECIFICATIONS

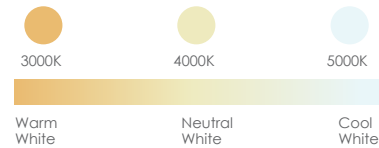
INPUT VOLTAGE	120V AC
WATTAGE	22 W
LUMENS	1450 Lm
EFFICACY	66 Lm/W
CRI	90+
BEAM ANGLE	120°

DIMMING¹	Triac Dimming
ENVIRONMENT	Indoor - Dry & Wet
CERTIFICATIONS	cETLus, T24 Compliant
LUMEN MAINTENANCE	50,000 hours
WARRANTY²	5 years

¹ Effectively dim down to 10% / See other compatible dimmers on the next page
² See published warranty terms for detailed information

PERFORMANCE

COLOR TEMPERATURE ³	LUMEN ⁴	WATTAGE	EFFICACY	CRI
SW3 (30/40/50K) ⁵	1400 Lm	22 W	66 Lm/W	90+



³ CCT within +/-10%
⁵ Switchable CCT

ORDERING INFO



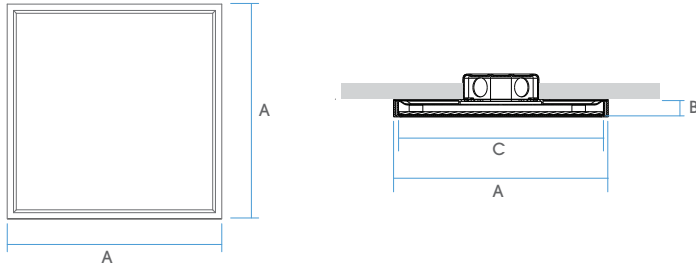
CM409RA-12S

12" SQUARE LED SURFACE MOUNT
WITH SLIM ALUMINUM DIE-CAST TRIM



Fixture Type
Project
Notes

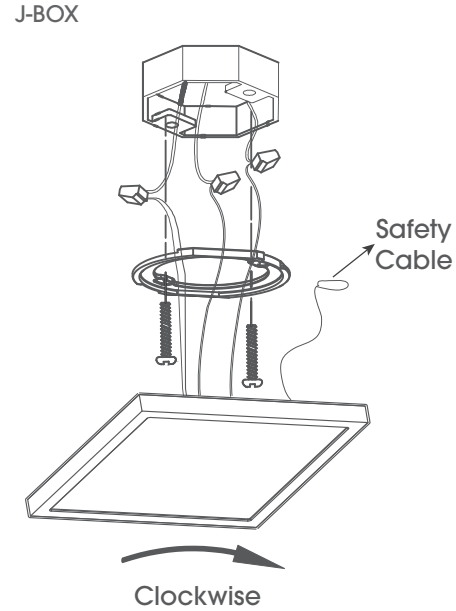
DIMENSIONAL DRAWINGS



DIMENSIONS

A	12"	305 mm
B	1"	25 mm
C	11"	280 mm

INSTALLATION



COMPATIBLE DIMMERS

LEVITON	6681, 6672
LUTRON	PD-6WCL, DVCL-153P, CTCL-153P, MACL-153M, TGCL-153P